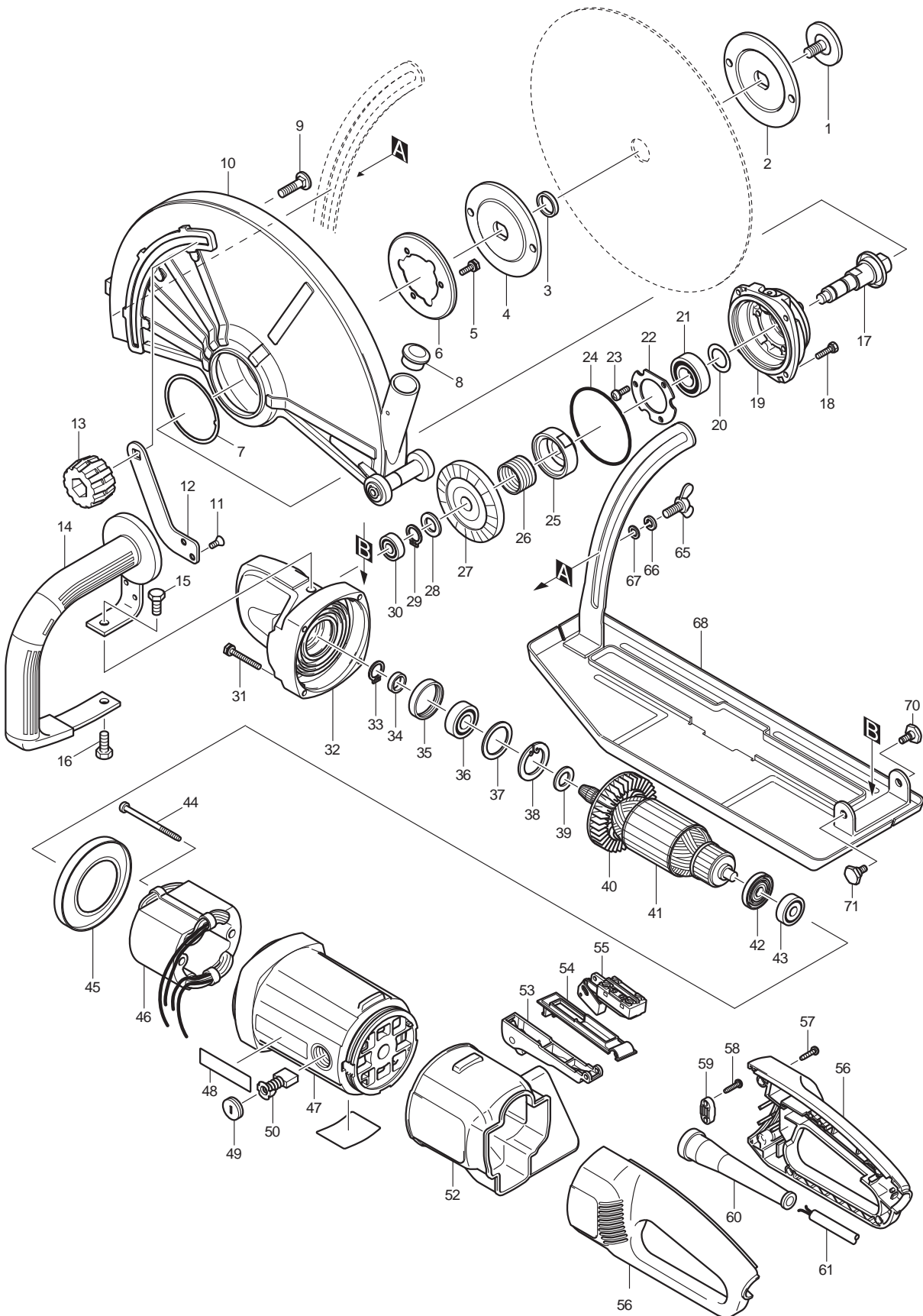




09 - 2010
4114
14" ANGLE CUTTER



Item No	Type	Ref	Part No	Description	Qty	Unit
001			265265-3	HEX. BOLT M10X25	1	PC.
002			224184-2	INNER FLANGE 100	1	PC.
003			257054-0	RING 20	1	PC.
004			224184-2	INNER FLANGE 100	1	PC.
005			925216-5	+ HEX. BOLT M5X14	3	PC.
006			345269-2	PRESSURE PLATE	1	PC.
007			341853-1	PLATE B	1	PC.
008	2		286289-6	CAP 32 (H:15.00mm)	1	PC.
009			265845-5	CAP SQUARE NECK BOLT M8X30	1	PC.
010			125334-1	WHEEL COVER ASS'Y	1	PC.
		INC.	257091-4	RING 12	2	PC.
		INC.	961015-1	STOP RING E-9	2	PC.
		INC.	810131-5	CAUTION LABEL	1	PC.
011			912202-5	COUNTERSUNK HEAD SCREW M5X8	2	PC.
012			345291-9	LOCK PLATE	1	PC.
013			252648-6	THUMB NUT M8	1	PC.
014			273655-6	GRIP	1	PC.
015			921432-7	HEX. BOLT M8X20	1	PC.
016			921432-7	HEX. BOLT M8X20	1	PC.
017			153541-6	SPINDLE COMPLETE	1	PC.
018			265502-5	+ HEX. BOLT M5X20	4	PC.
019			153539-3	BEARING BOX COMPLETE	1	PC.
020			267041-1	FLAT WASHER 20	1	PC.
021			211326-7	BALL BEARING 6004DDW	1	PC.
022			285708-9	BEARING RETAINER 50	1	PC.
023			911221-8	PAN HEAD SCREW M5X16	3	PC.
024			213757-6	O RING 80	1	PC.
025			331644-8	LOCK SLEEVE	1	PC.
026			233922-1	LOCK SPRING 24	1	PC.
027			227439-4	SPIRAL BEVEL GEAR 57	1	PC.
028			267251-0	FLAT WASHER 15	1	PC.
029			961055-9	RETAINING RING S-15	1	PC.
030			211061-7	BALL BEARING 6000LLB	1	PC.
031			925261-0	+ HEX. BOLT M5X40	4	PC.
032			153542-4	GEAR HOUSING COMPLETE	1	PC.
033			961055-9	RETAINING RING S-15	1	PC.
034			257053-2	RING 15	1	PC.
035			262554-7	RUBBER RING 36	1	PC.
036			211228-7	BALL BEARING 6202DDW	1	PC.
037			267250-2	FLAT WASHER 30	1	PC.
038			962157-4	RETAINING RING R-40	1	PC.
039			267251-0	FLAT WASHER 15	1	PC.
040			240060-2	FAN 80	1	PC.
041			516866-3	ARMATURE ASS'Y 115V	1	PC.
		INC.		Item No. 40,42,43		
042			681630-2	INSULATION WASHER	1	PC.
043			211087-9	BALL BEARING 6200DDW	1	PC.
044			266059-9	TAPPING SCREW 5X75	2	PC.
045			416131-9	BAFFLE PLATE	1	PC.
046	2		626236-9	* FIELD 115V	1	PC.
047			183564-0	MOTOR HOUSING	1	PC.
		INC.	643707-1	BRUSH HOLDER	2	PC.
		INC.		Item No. 48		
048			819064-1	MAKITA MARK	2	PC.

Item No	Type	Ref	Part No	Description	Qty	Unit
049			643710-2	BRUSH HOLDER CAP	2	PC.
050	2		194993-2	CARBON BRUSH SET CB-210 2PC/SET (W/ ORIGIN)	1	SET
051			862174-3	NAME PLATE F/4114	1	PC.
052			421831-8	DUST COVER	1	PC.
055	2		650102-8	* SWITCH TG08-1200-011	1	PC.
056	2		183615-9	* HANDLE SET	1	SET
		INC.	421833-4	* SPONGE SHEET	1	PC.
057			266045-0	TAPPING SCREW 4X20	5	PC.
058			265995-6	TAPPING SCREW 4X18	2	PC.
059			687052-4	STRAIN RELIEF	1	PC.
060			682560-0	CORD GUARD 10	1	PC.
061			664463-0	CORD W/PLUG 2P-14-2.5M, SJ	1	PC.
065			924426-1	WING BOLT M8X20	1	PC.
066			942201-3	SPRING WASHER 8	1	PC.
067			941201-0	FLAT WASHER 8	1	PC.
068			165431-1	BASE	1	PC.
070			265557-0	SHOULDER HEX. BOLT M6	1	PC.
071			265557-0	SHOULDER HEX. BOLT M6	1	PC.
C01			847703-3	CARTON F/4114	1	PC.

ACCESSORIES

- See catalogue or visit www.makita.ca for optional accessory -

A01			782210-8	SOCKET WRENCH 17	1	PC.
A02			D-42597	14" DIAMOND BLADE SEGMENT RIM, 1" ARBOR, FOR STEEL	1	PC.
A03			-----	14" ABRASIVE WHEELS		
A04			P-80008	ELBOW JOINT 32	1	PC.

SERVICE CHANGES

1. Changes on Gear Case Assembly

(TI# A4066)

Item No.	Description	Type 1	Type 2
55	Switch 1269.3001 > Switch TG08-1200-011	651169-9	650102-8
46	Field 115V	626126-6	626236-9
53	Switch lever complete	153546-6	-----
54	Switch base	417313-6	-----
56	Handle set	183566-6	183615-9

Above parts are completely interchangeable as a set.

**The current Field 115V (626126-6) can be substituted for the new Field 115V (626236-9) when you cut black lead wires short as drawn in Page Fig. 3

